

11 Series Emergency Call Point

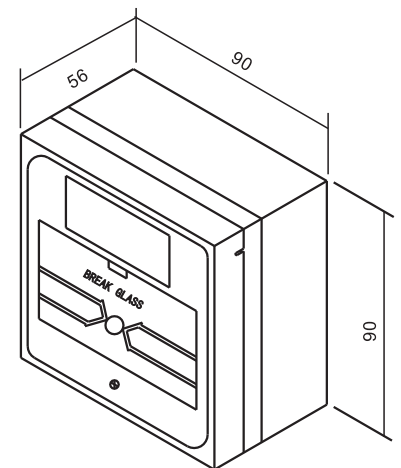
The Emergency call point is intended for quick evacuation during fire outbreak or any other emergency situations where the access control system needs to be disabled immediately. It can be used for open or closed circuits. The emergency call point switch cuts the circuit instantly and disables the door locking mechanism when the soft plastic is pressed hard. The emergency call point is specially designed to be resettable easily using the special key.



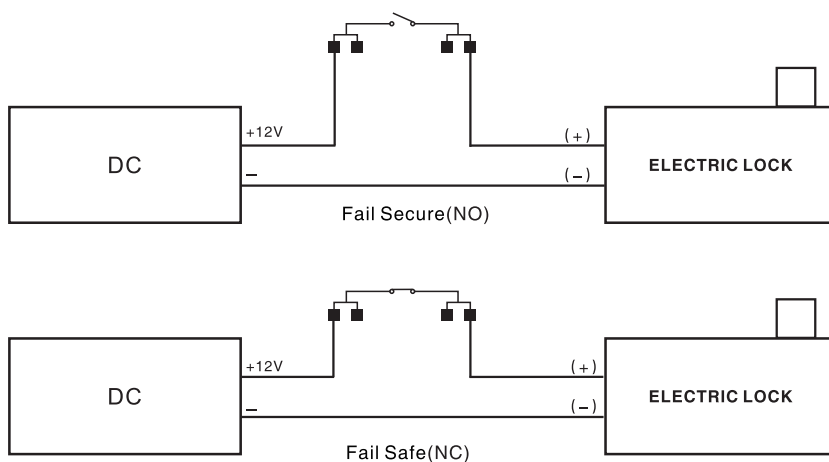
EFS1101

Product Specifications

- Dimension : 90L x 90W x 56H (mm)
- Max Current Rating: 3A @ 36 VDC
- Operating Temp: 10 - 55 C
- Safety Approval: CE
- Color Option: Red Green Orange White
- Weight 0.2 Kg
- Field Selectable : Fail Safe / Fail Secure
- Double Pole
- EFS1101 - Standard Product
- EFS1101.AR - With ``Emergency Use Only`` in Arabic & English Text



Connection Options:



IPIX A SECURITY LIMITED
Kemp House, 160 City Road,
London, EC1V 2NX,
United Kingdom
ipixa.co.uk