

02 Series Electromagnetic Locking Range

IPIXA Security 02 Series Electromagnetic Locking Range represents reliable and cost effective Access Control solution

IPIXA offers various types of Brackets which can be used depending on the installation scenario.



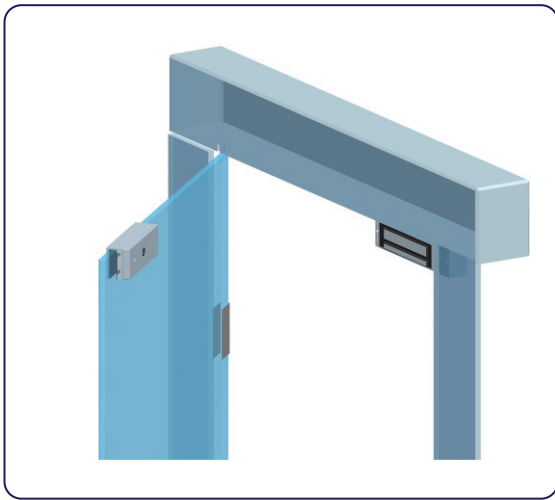
AEL0223



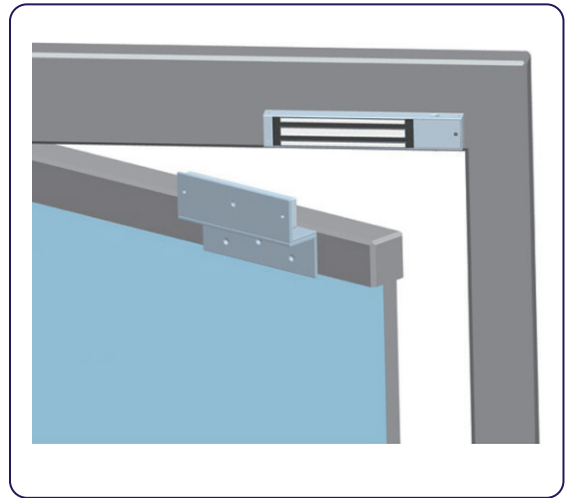
AEL0224



AEL0244



U Bracket



Z&L Bracket

Brackets:

AEL0223 - U Bracket for AEL0221 & AEL0222 Electromagnetic Locks

AEL0224 - Z&L Bracket for AEL0221 & AEL0222 Electromagnetic Locks

AEL0244 - Z&L Bracket for AEL0441 & AEL0442 Electromagnetic Locks

★ ★ ★
3
YEARS
WARRANTY



IPIXA SECURITY LIMITED
Kemp House, 160 City Road,
London, EC1V 2NX,
United Kingdom
ipixa.co.uk