

11 Series Electrified & Fire Series Door Cords

IPIXA Security 11 Series Electrified & Fire Series is developed to support security applications for doors used in fire escape routes & those requiring electrified door locks & associated accessories. Door cords are designed to protect wiring between the wall / frame and the door leaf thereby shielding the cabling.

11 Series is developed keeping the designers choice in mind compared to standard access control locking hardware.

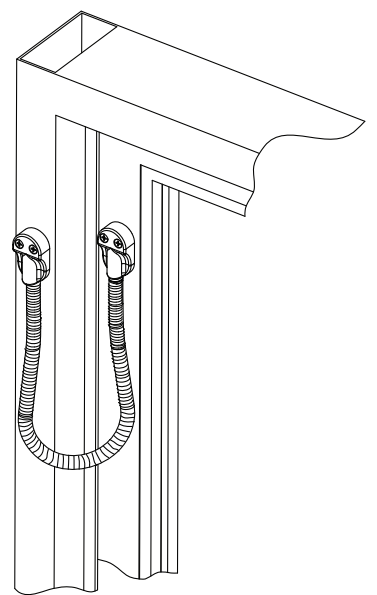
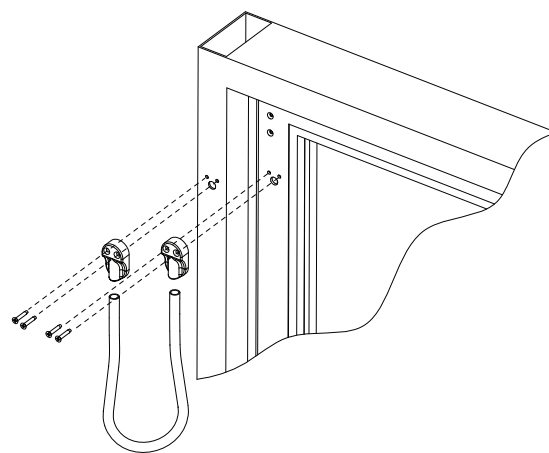
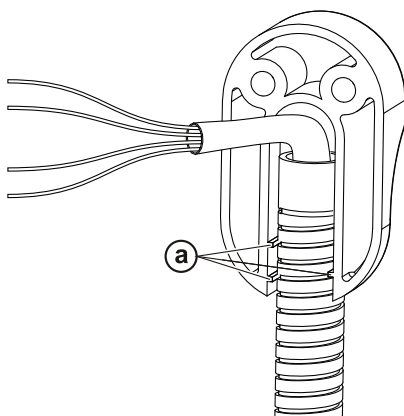


EFS1111



Product Specifications

| | |
|----------------------------------|---|
| Material | Stainless Steel |
| Door Cord Type | Exposed |
| Size | 410mm (Length) , 8 mm (Width) Diameter |
| Usage | Simplest and most economical solution for power transfer |
| Cable Thickness Supported | Supports interior wire cable upto 0.2 inch or 5 mm |



IPIXA SECURITY LIMITED
Kemp House, 160 City Road,
London, EC1V 2NX,
United Kingdom
ipixa.co.uk