

11 Series Electrified & Fire Series Door Cords


IPIXA Security 11 Series electrified & Fire series is developed to support the need for security applications for doors used for fire escape routes & for those doors which would require electrified door locks & associated accessories

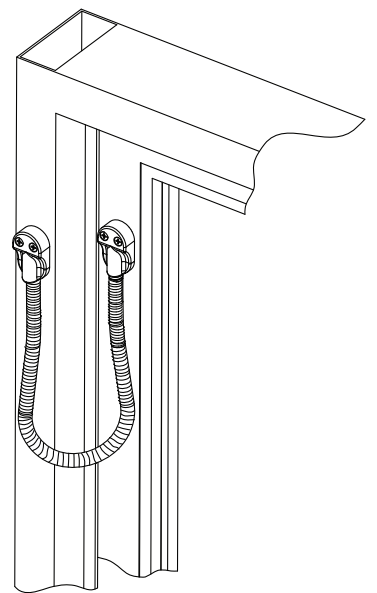
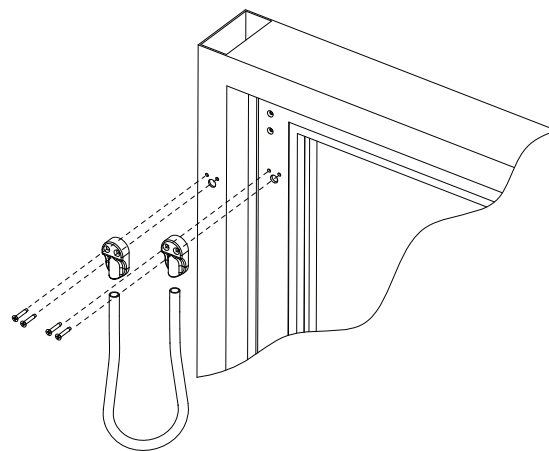
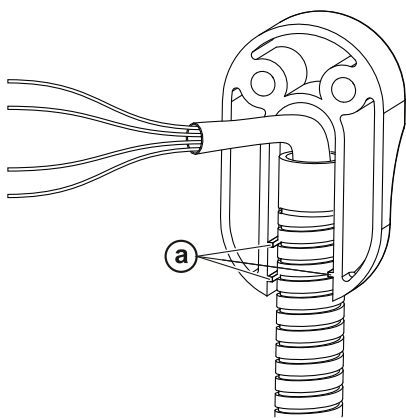
The aesthetics and functionality improves while using electrified locks and accessories compared to standard access control hardware 11 Series is developed keeping the designers choice in mind



EFS1113

Product Specifications

Material	Stainless Steel	
Door Cord Type	Exposed	
Size	435mm (Length) , 19 mm (Width) Diameter	
Usage	Simplest and most economical solution for power transfer	
Cable Thickness Supported	Supports interior wire cable upto 0.7 inch or 18 mm	



IPIXA SECURITY LIMITED
Kemp House, 160 City Road,
London, EC1V 2NX,
United Kingdom
ipixa.co.uk