

11 Series Emergency Break Glass

The Emergency Exit Break Glass is intended for quick evacuation during fire outbreak or any other emergency situations where the access control system needs to be disabled immediately. It can be used for open or closed circuits. The emergency break glass switch cuts the circuit instantly and disables the door locking mechanism when the glass is pressed hard or broken. The soft glass is specially designed to be broken easily when pressure is applied using fingers.



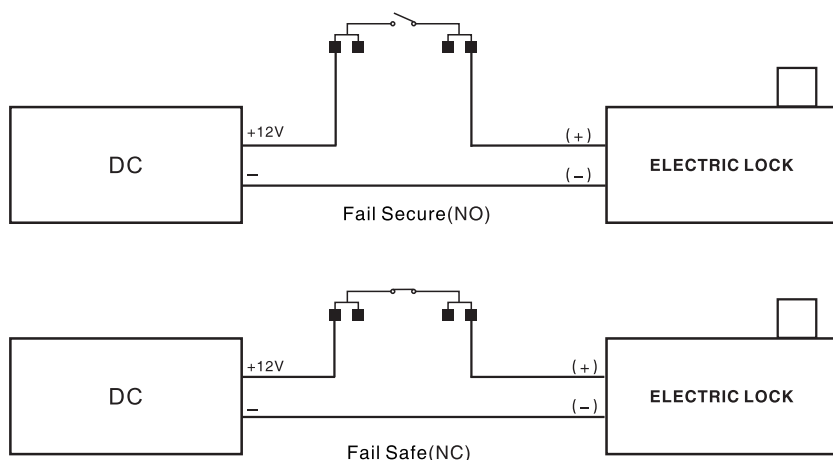
EFS1101.W

Product Specifications

- Dimension : 90L x 90W x 56H (mm)
- Max Current Rating: 3A @ 36 VDC
- Operating Temp: 10 - 55 C
- Safety Approval: CE
- Color Option: Red Green Orange White
- Weight 0.2 Kg
- Field Selectable : Fail Safe / Fail Secure
- Double Pole



Connection Options:



Cycle Tested
500,000

★ ★ ★
3
YEARS
WARRANTY



IPIX A SECURITY LIMITED
Kemp House, 160 City Road,
London, EC 1V 2NX,
United Kingdom
ipixa.co.uk