

# 11 Series Emergency Break Glass

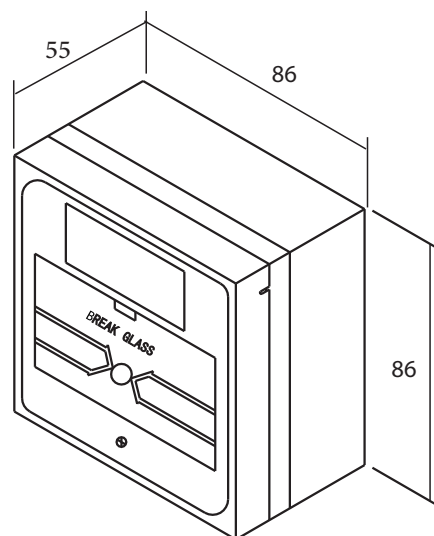
The Emergency Exit Break Glass is intended for quick evacuation during fire outbreak or any other emergency situations where the access control system needs to be disabled immediately. It can be used for open or closed circuits. The emergency break glass switch cuts the circuit instantly and disables the door locking mechanism when the glass is pressed hard or broken. The soft glass is specially designed to be broken easily when pressure is applied using fingers.



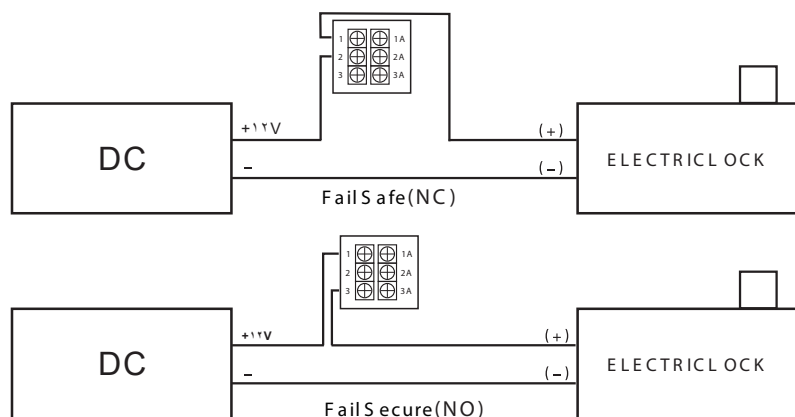
EFS1102

## Product Specifications

Dimension	: 86L x 86W x 55H (mm)
Max Current Rating	: 2A @ 30 VDC
Operating Temp	: 10 - 55 C
Operation	: Resettable By Replacing Glass
Housing Material	: ABS Plastic
Weight	: 0.2 Kg
Field Selectable	: Fail Safe / Fail Secure
Included	: Hinged Cover for Extra Security

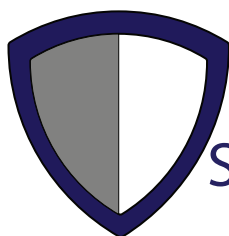


## Connection Options:



★ ★ ★  
3  
YEARS  
WARRANTY

Cycle Tested  
500,000



**IPIXA  
SECURITY**



**IPIXA SECURITY LIMITED**  
Kemp House, 160 City Road,  
London, EC1V 2NX,  
United Kingdom  
ipixa.co.uk