

11 Series Emergency Call Point

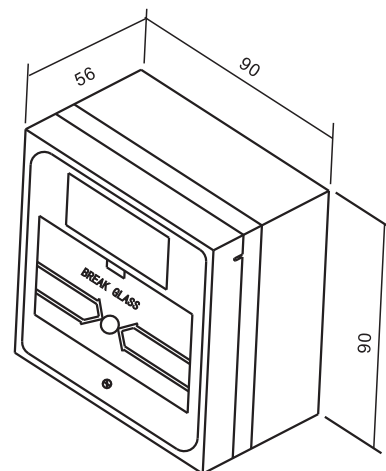
The Emergency call point is intended for quick evacuation during fire outbreak or any other emergency situations where the access control system needs to be disabled immediately. It can be used for open or closed circuits. The emergency call point switch cuts the circuit instantly and disables the door locking mechanism when the soft plastic is pressed hard. The emergency call point is specially designed to be resettable easily using the special key.



EFS1108

Product Specifications

Max Current Rating	: 3A @ 36 VDC
Operating Temp	: 10 - 55 C
Contacts	: Single Pole Double Throw Contacts
Resettable	: With Key
Dimension	: 90L x 90W x 56H (mm)
Weight	: 0.2 Kg
Color Option	: Red Green Orange White
Safety Approval	: CE, RoHS



★ ★ ★
3
YEARS
WARRANTY

Cycle Tested
500,000



IPIXA SECURITY LIMITED
Kemp House, 160 City Road,
London, EC1V 2NX,
United Kingdom
ipixa.co.uk