

# 02 Series Electromagnetic Locking Range

IPIXA Security 02 Series Electromagnetic Locking Range represents reliable and cost effective Access Control solution

IPIXA offers various types of Brackets which can be used depending on the installation scenario.



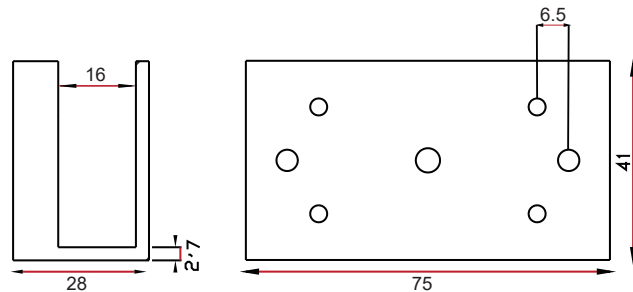
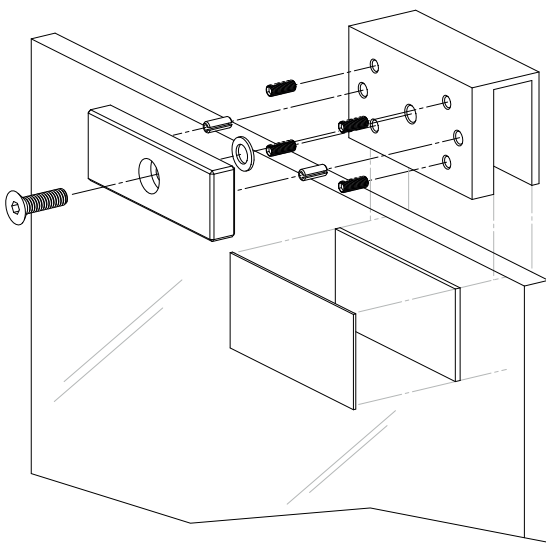
AEL0203

## Product Specifications

Material	: Aluminium
Type	: U Bracket
Cycle Testing	: 500,000 Cycles
Door Type	: Glass, Wood, Metal
Weight	: 0.20kg
Dimensions	: 75mm (L) x 41 (W) x 28 (H) mm
Application	: U Bracket suitable for cabinet/security racks. Suitable for glass, metal & wooden doors To be used with Mini Maglock Model: AEL0201



Cycle Tested  
500,000



IPIXA SECURITY LIMITED  
Kemp House, 160 City Road,  
London, EC1V 2NX,  
United Kingdom  
ipixa.co.uk