

# GF Series Electrified Powerbolts

IPIX A Security 02 Series Electrified Powerbolts represents reliable and cost effective Access Control solution

GF Series Brackets provides Support , Stability, Alignment & Distribution of Stress to install drop bolts on doors with frameless glass leaf. Suitable to be used with Dropbolt Models: AEL0205 & AEL0206

Model	AELGF10.B	AELGF10.C
Hole Size	16.5 * 26.5.(mm)	19 * 25 (mm)
Weight	300 g	250 g
Glass Thickness	10 - 15 mm	10 - 15 mm
OpeningMode	90 or 180 degree door	90 or 180 degree door
Material	Grade 304 Staineless-Steel	Aluminum

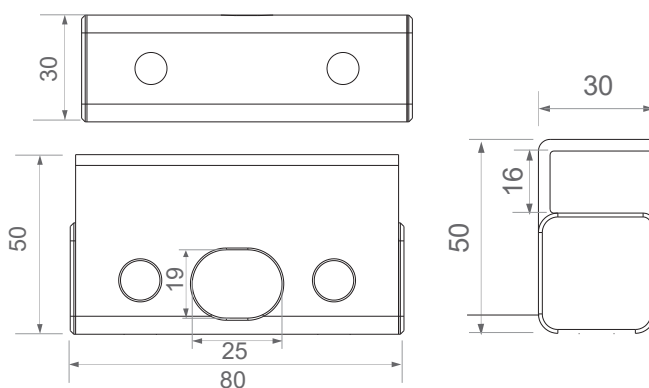
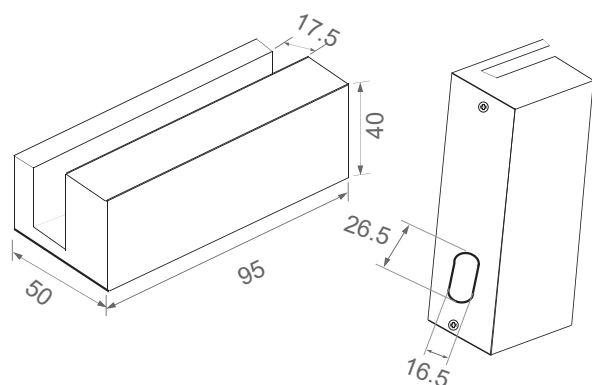
AELGF10.B



AELGF10.C



Dimensions:



IPIX A SECURITY LIMITED  
Kemp House, 160 City Road,  
London, EC1V 2NX,  
United Kingdom  
ipixa.co.uk