

11 Series Emergency Call Point

The Emergency call point is intended for quick evacuation during fire outbreak or any other emergency situations where the access control system needs to be disabled immediately. It can be used for open or closed circuits. The emergency call point switch cuts the circuit instantly and disables the door locking mechanism when the soft plastic is pressed hard. The emergency call point is specially designed to be resettable easily using the special key.



EFS1101

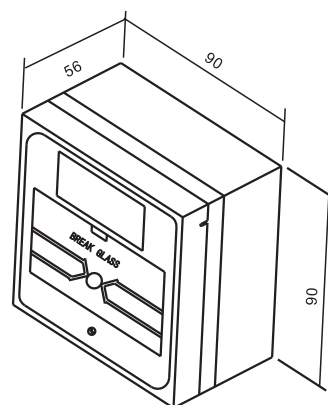
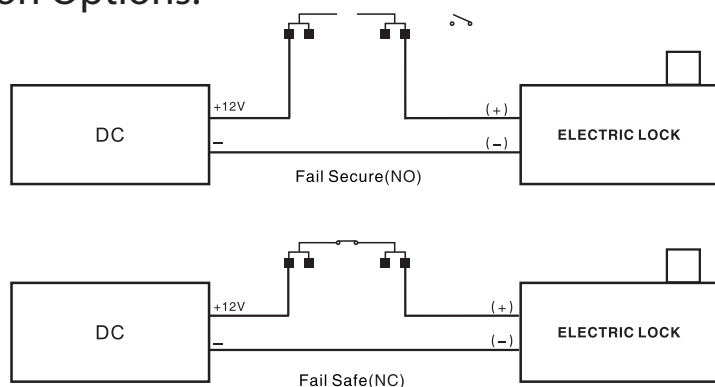
Product Specifications

- Dimension : 90L x 90W x 56H (mm)
- Max Current Rating: 3A @ 36 VDC
- Operating Temp: 10 - 55 C
- Safety Approval: CE
- Color Option: Green / White
- Weight 0.2 Kg
- Field Selectable : Fail Safe / Fail Secure
- Double Pole Double Throw
- Resettable with key

Cycle Tested
500,000



Connection Options:



EFS1101: Standard model

EFS1101.HC: Standard model with hinged protective cover for additional security



IPIX A SECURITY LIMITED
Kemp House, 160 City Road,
London, EC1V 2NX,
United Kingdom
ipixa.co.uk