

11 Series

Outside Access Device For Request to Exit Push Bars

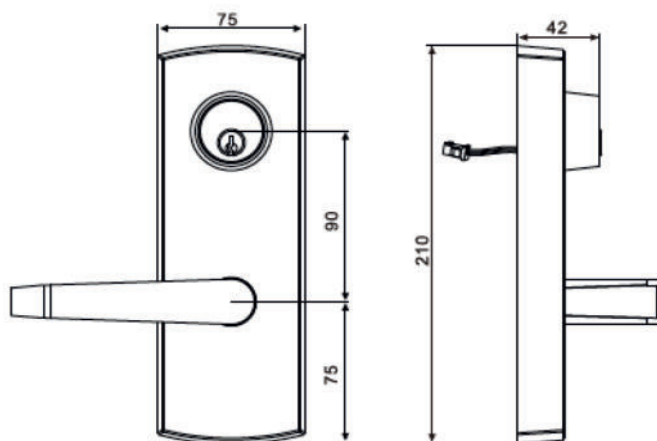
Designed to support security applications developed for fire escape routes & doors which require access control management, IPIXA 11 Series Fire & Electrified portfolio with electric strikes, Panic Bar, Door Position Switch, Panic Button, Emergency Break Glass, Power Supplies, and other accessories offers comprehensive solution for all access control needs.



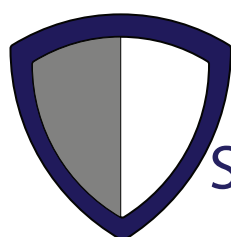
EPA1601

Product Specifications

- Suitable to be used with EPA1611
- Voltage: 12 or 24 VDC
- Finish: Satin Finish
- Door Thickness: 45-65 mm
- Storeroom Function
- Mechanical override with cylinder
- Designed to meet ANSI Grade 1 & UL10C Standards
- Function: Upon Access Control Trigger, Outside Lever is engaged to retract latch.



Endurance Tested
500,000
Cycles



**IPIXA
SECURITY**

IPIXA SECURITY LIMITED
Kemp House, 160 City Road,
London, EC1V 2NX,
United Kingdom
ipixa.co.uk